

Niagara

EAS Anti-Shoplifting System for Loss Prevention

DETECTAG
Anti-Theft Solutions



The stylish Niagara Antenna is made out of premium 10mm acrylic with aluminium supports. The transparent antenna provides an upscale look while maintaining the features of a premium anti-shoplifting system.

Flexible

The Niagara can be made either as a hard tag only anti-shoplifting system or as a 8.2MHz label & mini hard tag anti-shoplifting system. The Niagara can be made to detect tags at set frequencies from 1.81MHz to 8.2MHz. This choice makes the Niagara antenna able to be compatible with a wide variety of tags and can even be made compatible with exiting tags already in a store thereby allowing for an inexpensive upgrade. The flexibility of the system makes it a perfect asset for any stores loss prevention needs.

Easy

The Niagara is a transceiver system meaning that both the transmitter and receiver are combined into the Niagara. This makes it possible to cover smaller door openings with just one antenna. In larger door openings up to 12 Niagara's can be installed without the need for synchronization cables. Alternatively, a lower cost RX antenna can be used in conjunction with the Niagara to focus the detection between the two (see back panel for details)

Simple

The Niagara was designed with simplicity and power. The system is easy to use and install, requiring only a standard power connector drawing 12 volt. The Niagara also uses a patented self-adjusting technology which regulate the system for the optimal range based on surrounding electrical noise. This technology provides superior detection ranges and minimum false alarms.

Reliable

The antenna is manufactured in Canada with the highest regard for quality using Canadian manufactured parts and is backed with a 3 year warranty



Features:

- **Transceiver Antenna, only one antenna for full system.**
- **Hard Tag Only or Label Tag System.**
- **Available RX antennas.**
- **Acrylic available in clear and in green tint for a glass look**
- **Frequencies from 1.81-8.2MHz.**
- **Self adjusting antenna for superior range and minimum false alarms.**
- **Up to 12 antennas installed simultaneously without additional components or synchronization cables.**
- **Integrated alarm indication through buzzer and light.**
- **Relay output for external connections such as CCTV.**
- **Life time technical support.**
- **Durable construction and made in Canada.**
- **3 year warranty.**

Niagara System Specifications



Niagara

Material:

Aluminum Support, 10mm Acrylic
Standard Frequencies: 1.81MHz
 2.0MHz, 3.25MHz, 4.6MHz, 4.8MHz,
 8.2MHz

Colors: Acrylic

- Clear
- Green tint (glass look)

Height: 176cm

Width: 40cm

Depth: 12cm

Power: 12V AC 500mA

Alarm: Variable tone and light

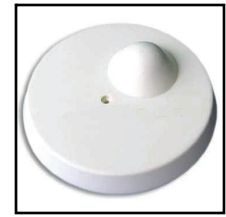
Warranty: 3 years on electronics

Part# 919 108 N [color] [frequency]

Packing: One Niagara per box



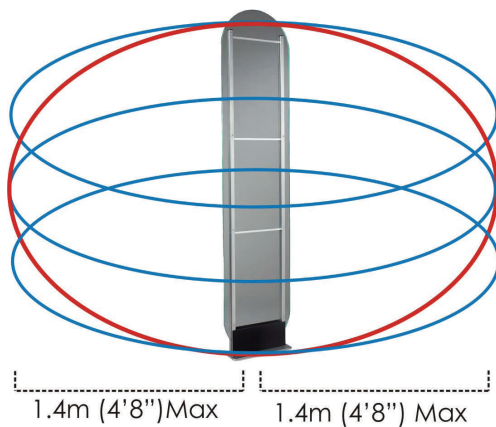
Label Tags and Mini
 UFO tags in 8.2MHz
 Max Detection: 70cm



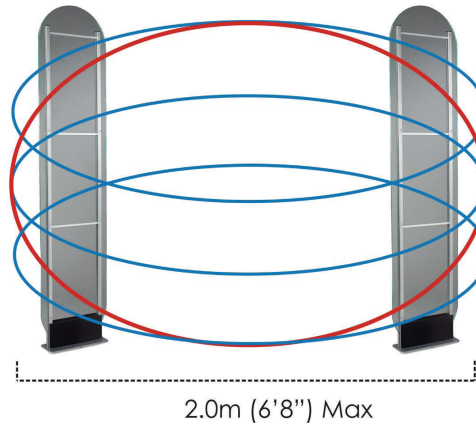
Standard Hard Tags
 Max Detection: 1.4M
 4.8MHz



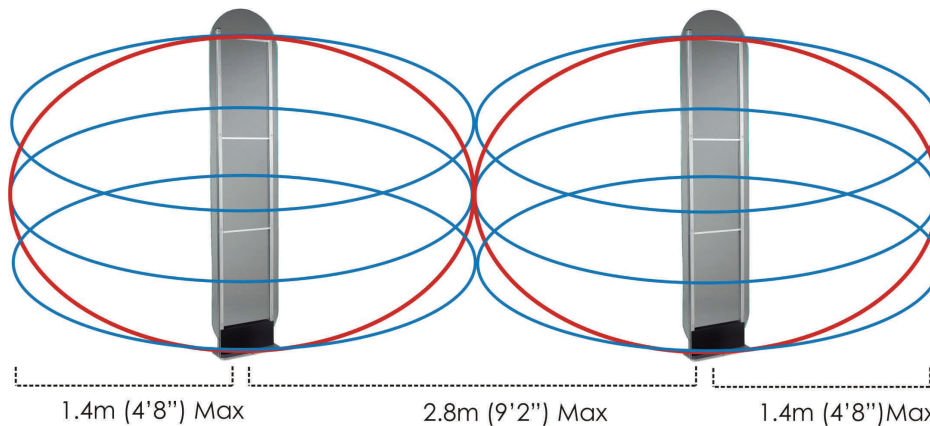
Mini Hard Tags
 Max Detection 1.1M
 4.8MHz



One Niagara can cover most door ways by
 itself with an optimal detection range of 1.4m
 on each side



Using a combination of a Niagara and a RX
 antenna, the detection grid is focused between
 the two.



Multiple antennas can be combined to cover larger doorways. Up to 12 antennas can be
 installed at the same location without additional components. Here two Niagara antennas
 are able to cover a large door opening.



Grip Tags used for
 bottles, rackets, golf
 clubs etc. 4.8MHz



Soft Tag in 4.8MHz
 with Quality Control
 Max Detection: 1.4m

Note: Detection Range will depend
 on type of tag used as well as noise
 conditions. Generally the larger the
 tag the better the detection. The
 diagram measurements were done
 using 4.8MHz Standard Hard Tags
 measured in our showroom.

DETECTAG 
 Anti-Theft Solutions